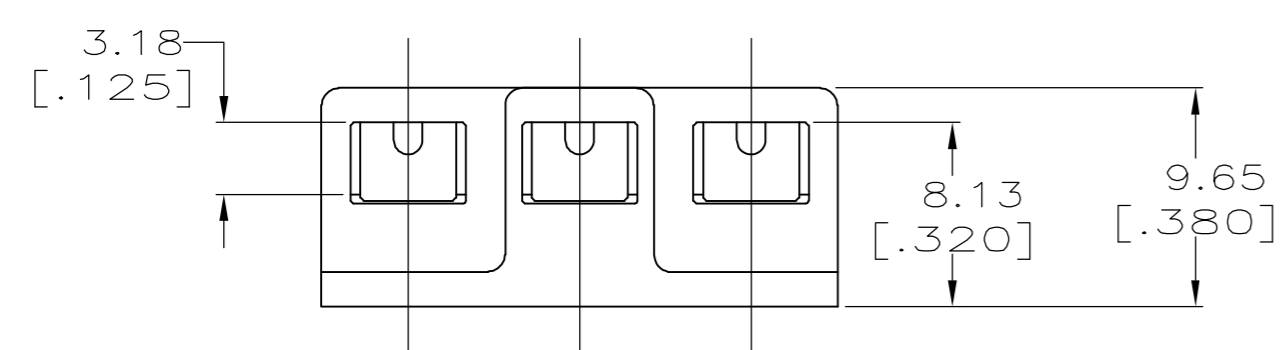
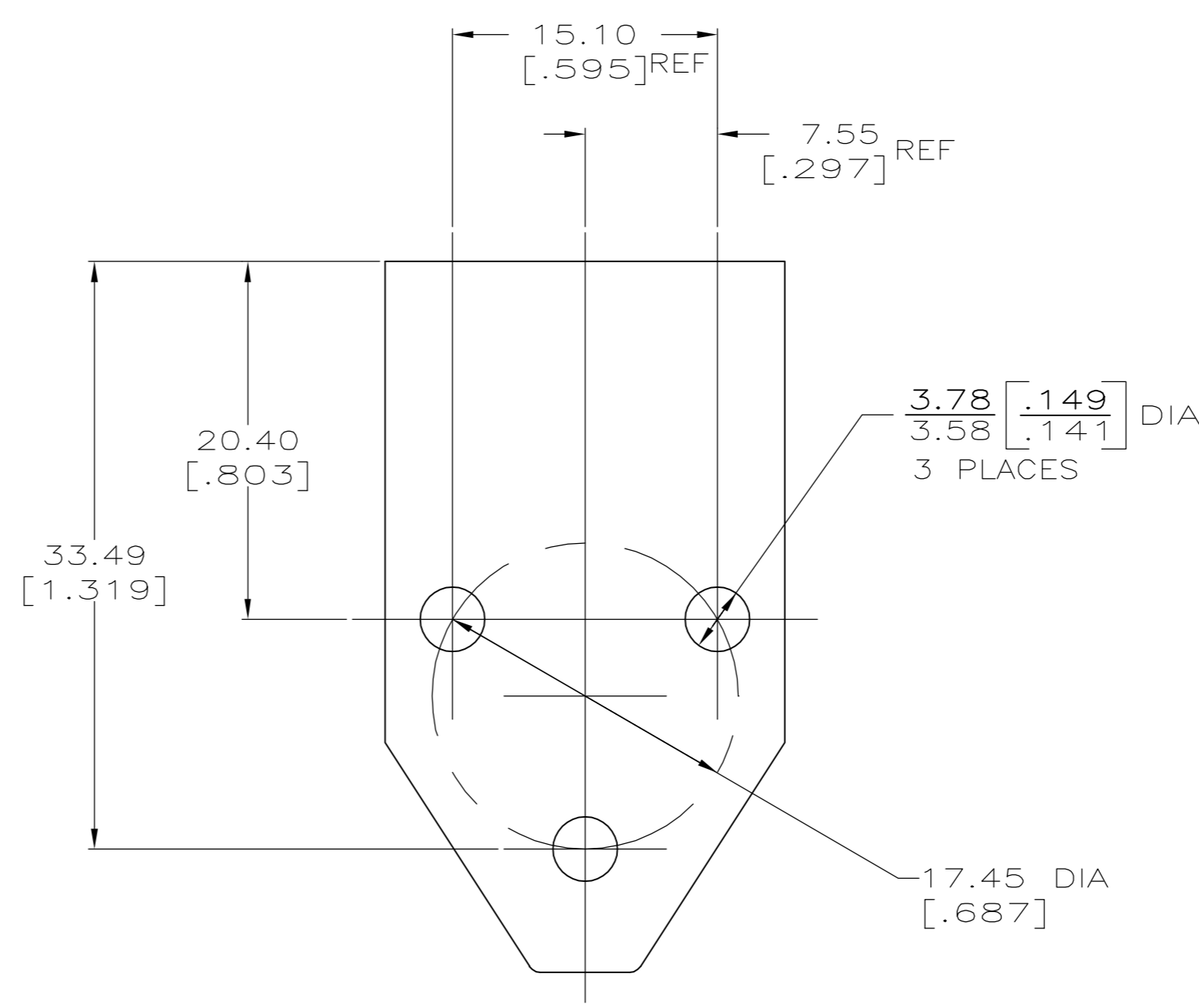
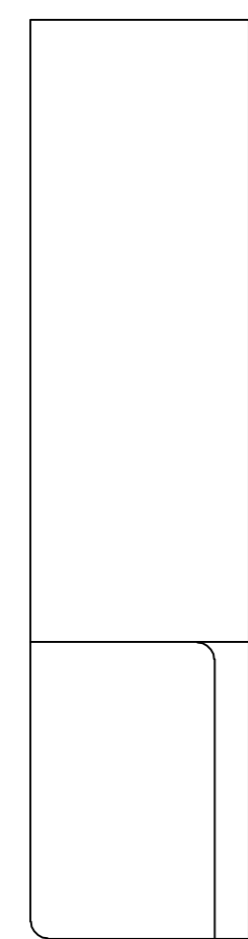
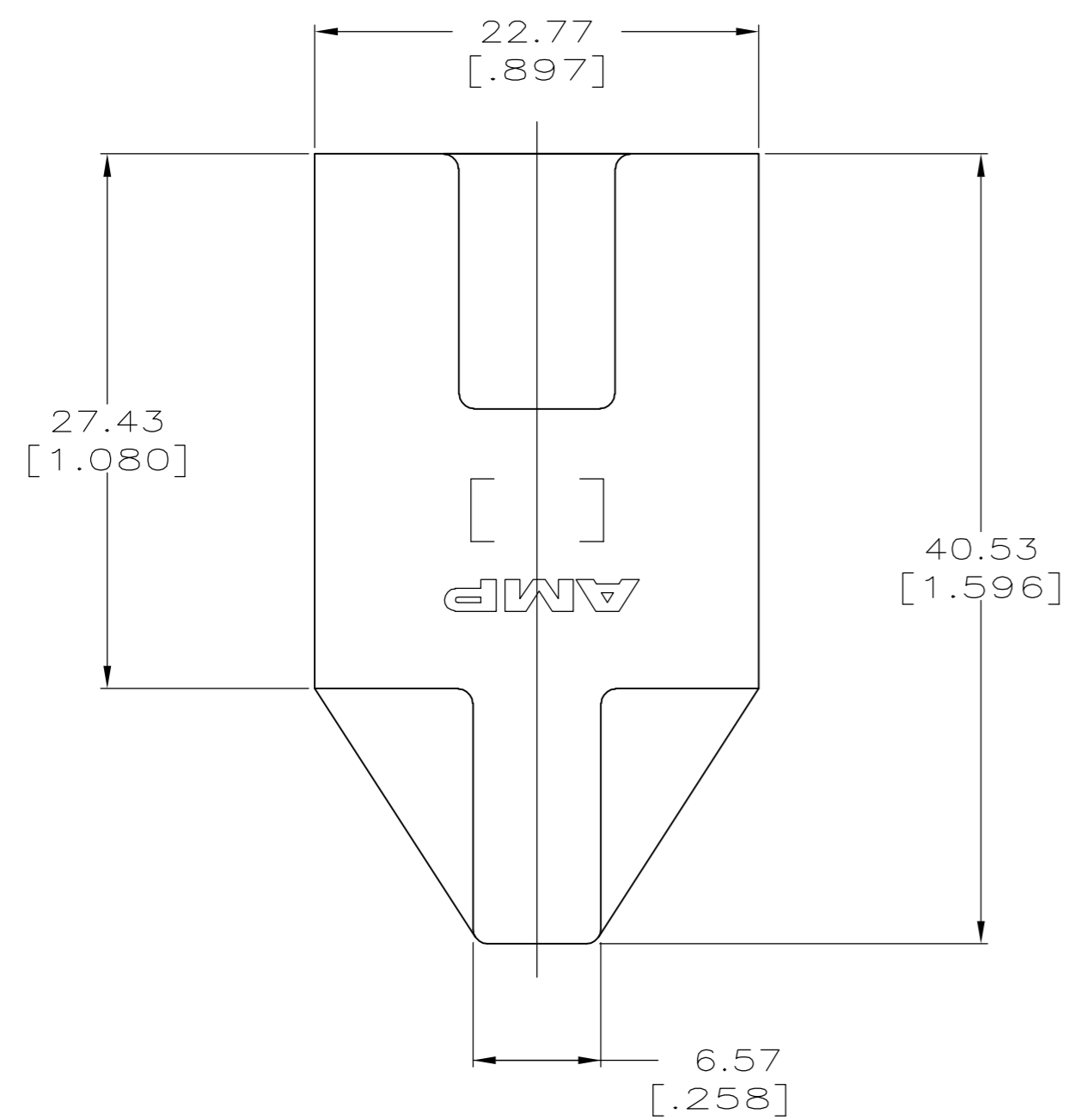
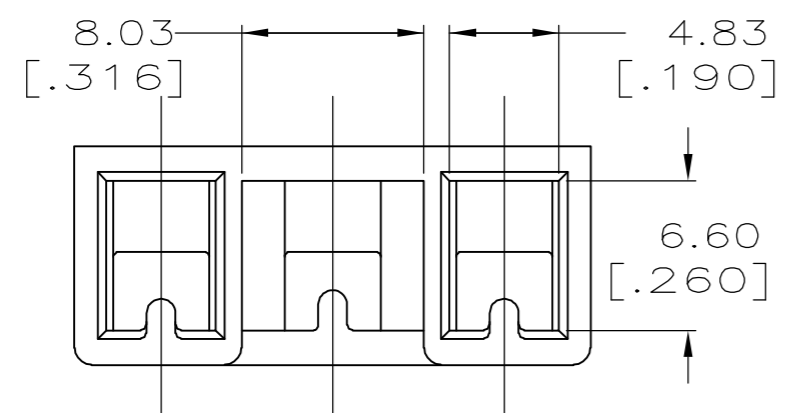


THIS DRAWING IS UNPUBLISHED. RELEASED FOR PUBLICATION
 © COPYRIGHT BY TYCO ELECTRONICS CORPORATION. ALL RIGHTS RESERVED.

LOC	DIST	REVISIONS			
P	LTR	DESCRIPTION	DATE	DWN	APVD
AF	50				
		D	REVISED PER ECR-06-014829	21JUN06	MF GP

1 HOUSING ACCEPTS 3.18 [.125] DIA CLUSTER BLOCK
 PIN RECEPTACLES.
 PART NOS: 62243-3, 62244-3, 63453-1, 63454-1 &
 63455-1.



520995-1
 PART NUMBER

THIS DRAWING IS A CONTROLLED DOCUMENT.		DWN M.S. FEHER 09JUN2006	Tyco Electronics Corporation Harrisburg, PA 17105-3608	
DIMENSIONS: MM [INCHES]		CHK G.D. PORTA 09JUN2006		
TOLERANCES UNLESS OTHERWISE SPECIFIED:		APVD G.D. PORTA 09JUN2006	NAME HOUSING, CLUSTER BLOCK, 3.18 [.125] DIA	
0 PLC ± - 1 PLC ± - 2 PLC ± 0.25 [.010] 3 PLC ± - 4 PLC ± - ANGLES ± - FINISH NATURAL		PRODUCT SPEC -	SIZE A2	CAGE CODE 00779
MATERIAL VALOX-310 OR EQUIVALENT		APPLICATION SPEC -	DRAWING NO C=520995	RESTRICTED TO -
		WEIGHT -	SCALE 3:1	SHEET 1 of 1
		CUSTOMER DRAWING	REV D	

520995